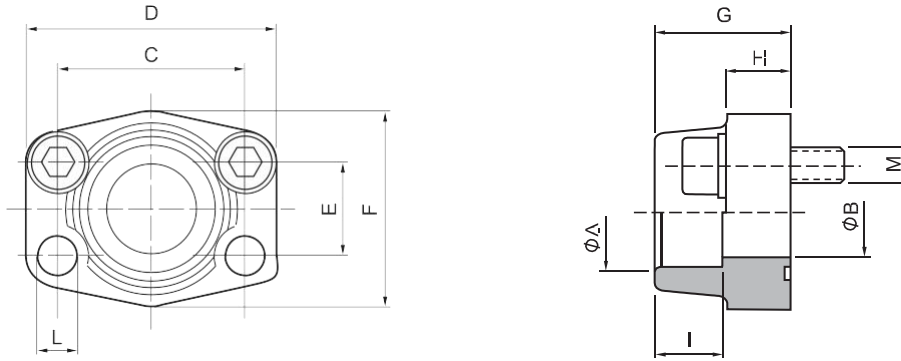


SAE SOCKET WELD FLANGES

SAE Socket weld Flange is the socket weld connection end type of SAE Flanges, there are two main pressure series which are code 61 flanges (SAE3000) and code 62 flanges (SAE6000).

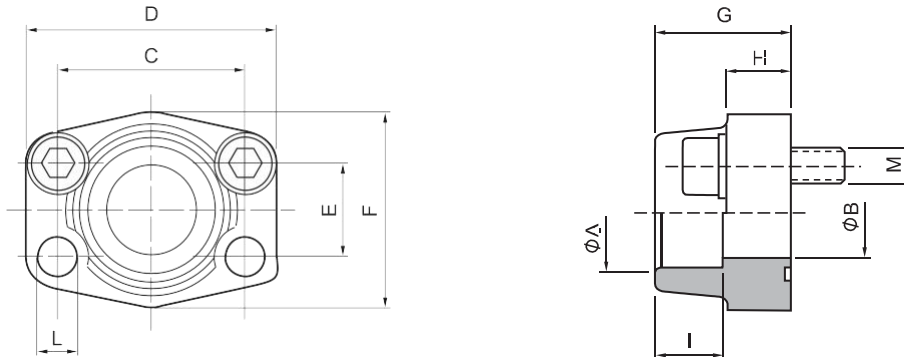


3000 PSI Standard Pressure Series (based on ISO 6162-1:2002)

Nominal Size	DN	(in)	PN ¹ (^{bar} /PSI)		Dimensions (^{mm} / ⁱⁿ)										Weight (^{kg} / ^{lbs})	for Bolts		Order Code
			8.8	10.9	Ø	Ø	H	F	D	E	C	G	I	ØL ²		Metric ³	UNC	
13	1/2	350	350	1	2	1	4	5	1	3	3	1	8,7	27,7	M8x30	5/16-18 UNC x 1-1/4	YLFL-AFS-301S	
		5075	5075	.5	.	.	1	2	.	1	1	.	.34	60.9				
13	1/2	350	350	1	1	1	4	5	1	3	3	1	8,7	28,6	M8x30	5/16-18 UNC x 1-1/4	YLFL-AFS-301S/17.5	
		5075	5075	.5	.	.	1	2	.	1	1	.	.34	62.9				
13	1/2	350	350	1	2	1	4	5	1	3	3	1	8,7	28,8	M8x30	5/16-18 UNC x 1-1/4	YLFL-AFS-301S/20	
		5075	5075	.5	.	.	1	2	.	1	1	.	.34	63.3				
19	3/4	350	350	1	2	1	5	6	2	4	3	1	10,5	37,7	M10x35	3/8-16 UNC x 1-1/2	YLFL-AFS-302S	
		5075	5075	.7	1	.	1	2	.	1	1	.	.41	82.9				
19	3/4	350	350	1	2	1	5	6	2	4	3	1	10,5	39,7	M10x35	3/8-16 UNC x 1-1/2	YLFL-AFS-302S/25	
		5075	5075	.7	1	.	1	2	.	1	1	.	.41	87.3				
25	1	250	315	2	3	1	5	7	2	5	3	1	10,5	44,8	M10x35	3/8-16 UNC x 1-1/2	YLFL-AFS-303S	
		3625	4568	.9	1	.	2	2	1	2	1	.	.41	98.5				
25	1	250	315	2	3	1	5	7	2	5	3	1	10,5	47,3	M10x35	3/8-16 UNC x 1-1/2	YLFL-AFS-303S/30	
		3625	4568	.9	1	.	2	2	1	2	1	.	.41	104.				
32	1-1/4	200	250	3	4	2	6	8	3	5	4	2	11,5	64,3	M10x40 (M12x40)	7/16-14 UNC x 1-1/2	YLFL-AFS-304S	
		2900	3625	1.	1	.	2	3	1	2	1	.	.45	141.				
32	1-1/4	200	250	3	3	2	6	8	3	5	4	2	11,5	72,0	M10x40 (M12x40)	7/16-14 UNC x 1-1/2	YLFL-AFS-304S/38	
		2900	3625	1.	1	.	2	3	1	2	1	.	.45	158.				
38	1-1/2	200	200	3	4	2	7	9	3	6	4	2	13,5	109,	M12x45 (M14x45)	1/2-13 UNC x 1-3/4	YLFL-AFS-305S	
		2900	2900	1.	1	.	3	3	1	2	1	.	.53	240.				
38	1-1/2	200	200	3	5	2	7	9	3	6	4	2	13,5	101,	M12x45 (M14x45)	1/2-13 UNC x 1-3/4	YLFL-AFS-305S/50	
		2900	2900	1.	1	.	3	3	1	2	1	.	.53	222.				
51	2	160	200	5	6	2	8	1	4	7	4	2	13,5	125,	M12x45 (M14x45)	1/2-13 UNC x 1-3/4	YLFL-AFS-306S	
		2320	2900	2.	2	1	3	4.	1	3	1	.	.53	276.				
64	2-1/2	100	160	6	7	2	1	1	5	8	5	2	13,5	145,	M12x45 (M14x45)	1/2-13 UNC x 1-3/4	YLFL-AFS-307S	
		1450	2320	2.	3	1	3	4	2	3	1	1	.53	319.				
76	3	100	100	7	9	2	1	1	6	1	5	2	17	212,	M16x50	5/8-11 UNC x 2	YLFL-AFS-308S	
		1450	1450	2.	3	1	5	5	2	4	1	1	.67	467.				
89	3-1/2	35	35	8	1	2	1	1	6	1	5	3	17	235,	M16x50	5/8-11 UNC x 2	YLFL-AFS-309S	
		508	508	3.	4	1	5	6	2	4	1	1	.67	517.				
102	4	35	35	9	1	2	1	1	7	1	5	3	17	282,	M16x50	5/8-11 UNC x 2	YLFL-AFS-310S	
		508	508	3.	4	1	5	6	3	5	1	1	.67	622.				
127	5	35	35	1	1	2	1	1	9	1	5	3	17	360,	M16x55	5/8-11 UNC x 2-1/4	YLFL-AFS-311S	
		508	508	4.	5	1	7	7	3	6	1	1	.67	793.				

SAE SOCKET WELD FLANGES

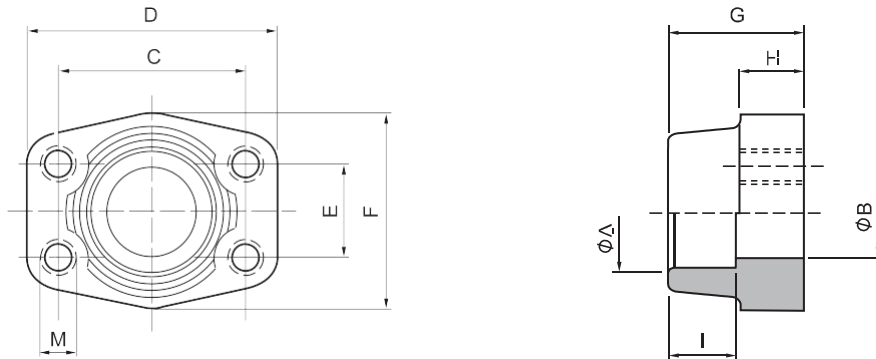
SAE SOCKET WELD FLANGES



6000 PSI High Pressure Series (based on ISO 6162-2:2002)

Nominal Size	DN	(in)	PN ¹		Dimensions													Weight	for Bolts		Order Code
			(^{bar} /PSI)	(MH)	(mm/in)														(^{kg} /lbs) ca.	Metric	
			8.8	10.9 (MH)	ØB	ØA	H	F	D	E	C	G	I	ØL							
13	1/2	350	420	13	21,6	16,5	47	57	18,2	40,5	36	18	8,7	28,0	M8x30	5/16-18 UNC x 1-1/4	YLFL-AFS-601S				
		5075	6090	.51	.85	.65	1.85	2.24	.72	1.59	1.42	.71	.34	61.60							
13	1/2	350	420	13	17,5	16,5	47	57	18,2	40,5	36	18	8,7	28,8	M8x30	5/16-18 UNC x 1-1/4	YLFL-AFS-601S/17.5				
		5075	6090	.51	.69	.65	1.85	2.24	.72	1.59	1.42	.71	.34	63.36							
13	1/2	350	420	13	20,3	16,5	47	57	18,2	40,5	36	18	8,7	27,3	M8x30	5/16-18 UNC x 1-1/4	YLFL-AFS-601S/20				
		5075	6090	.51	.80	.65	1.85	2.24	.72	1.59	1.42	.71	.34	60,06							
19	3/4	350	420	19	27,2	19,5	54	72	23,8	50,8	36	20	10,5	51,9	M10x35	3/8-16 UNC x 1-1/2	YLFL-AFS-602S				
		5075	6090	.75	1.07	.77	2.13	2.83	.94	2.00	1.42	.79	.41	114.18							
19	3/4	350	420	19	25,3	19,5	54	72	23,8	50,8	36	20	10,5	53,8	M10x35	3/8-16 UNC x 1-1/2	YLFL-AFS-602S/25				
		5075	6090	.75	1.00	.77	2.13	2.83	.94	2.00	1.42	.79	.41	118.36							
25	1	350	420	25	34	24,5	68	82	27,8	57,2	44	22	13	73,8	M12x45	7/16-14 UNC x 1-3/4	YLFL-AFS-603S				
		5075	6090	.98	1.34	.96	2.68	3.23	1.09	2.25	1.73	.87	.51	162.36							
25	1	350	420	25	30,3	24,5	68	82	27,8	57,2	44	22	13	81,0	M12x45	7/16-14 UNC x 1-3/4	YLFL-AFS-603S/30				
		5075	6090	.98	1.19	.96	2.68	3.23	1.09	2.25	1.73	.87	.51	178.20							
32	1-1/4	350	420	32	42,8	27,5	79	95	31,8	66,6	44	22	13,5	115,7	M12x45	1/2-13 UNC x 1-3/4	YLFL-AFS-604				
		5075	6090	1.26	1.69	1.08	3.11	3.74	1.25	2.62	1.73	.87	.53	254.54							
32	1-1/4	350	420	32	42,8	27,5	79	95	31,8	66,6	44	22	15	110,3	M14x45		YLFL-AFS-604S/M14				
		5075	6090	1.26	1.69	1.08	3.11	3.74	1.25	2.62	1.73	.87	.59	242.66							
32	1-1/4	350	420	32	38,3	27,5	79	95	31,8	66,6	44	22	13,5	118,3	M12x45	1/2-13 UNC x 1-3/4	YLFL-AFS-604S/38				
		5075	6090	1.26	1.51	1.08	3.11	3.74	1.25	2.62	1.73	.87	.53	260.26							
32	1-1/4	350	420	32	38,3	27,5	79	95	31,8	66,6	44	22	15	125,6	M14x45		YLFL-AFS-604S/38-M14				
		5075	6090	1.26	1.51	1.08	3.11	3.74	1.25	2.62	1.73	.87	.59	276.32							
38	1-1/2	350	420	38	48,6	31	88	108	36,5	79,3	51	24	17	183,5	M16x55	5/8-11 UNC x 2-1/4	YLFL-AFS-605S				
		5075	6090	1.50	1.91	1.22	3.46	4.25	1.44	3.12	2.01	.94	.67	403.70							
38	1-1/2	350	420	38	50,5	31	88	108	36,5	79,3	51	24	17	184,7	M16x55	5/8-11 UNC x 2-1/4	YLFL-AFS-605S/50				
		5075	6090	1.50	1.99	1.22	3.46	4.25	1.44	3.12	2.01	.94	.67	406.34							
51	2	350	420	51	61	37	118	137	44,5	96,8	65	24	21	329,2	M20x70	3/4-10 UNC x 2-3/4	YLFL-AFS-606S				
		5075	6090	2.01	2.40	1.46	4.65	5.39	1.75	3.81	2.56	.94	.83	724.24							
64	2-1/2	350	420	63	76,6	45	152	180	58,7	123,8	80	32	26	849,6	M24x80		YLFL-AFS-607S				
		5075	6090	2.48	3.02	1.77	5.98	7.09	2.31	4.87	3.15	1.26	1.02	1869.12							
76	3	350	420	73	90,5	55	178	208	71,4	152,4	90	30	33	1110,1	M30x100		YLFL-AFS-608S				
		5075	6090	2.87	3.56	2.17	7.01	8.19	2.81	6.00	3.54	1.18	1.30	2442.22							

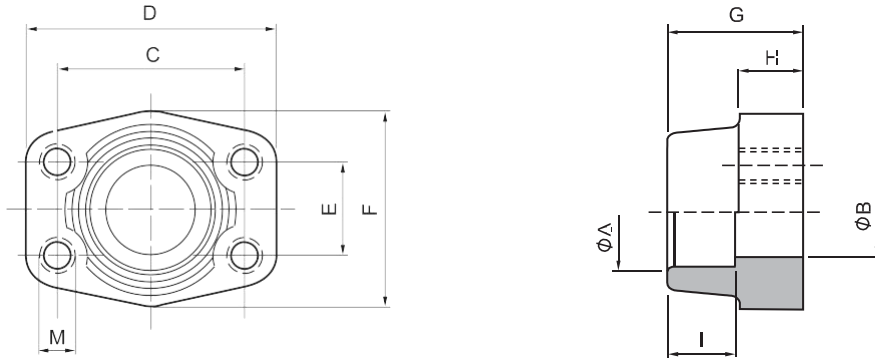
SAE-SOCKET WELD FLANGE COMPANION



3000 PSI Standard Pressure Series (based on ISO 6162-1:2002)

Nominal Size	DN	(in)	PN ¹ (^{bar} /PSI)		Dimensions (^{mm} / _{in})										Wei ght (^{kg} / _{lbs})	Ø Thread		Order Code
			8.8	10.9	Ø	Ø	H	F	D	E	C	G	I	Metric ³		UNC		
13	1/2		350	350	1	2	1	4	5	1	3	3	1	29,4	M8	5/16-18 UNC	YLFL-GFS-301S	
			5075	5075	.5	.8	.6	1.	2.	.6	1.	1.	.7	64.6				
13	1/2		350	350	1	1	1	4	5	1	3	3	1	30,3	M8	5/16-18 UNC	YLFL-GFS-301S/17.5	
			5075	5075	.5	.6	.6	1.	2.	.6	1.	1.	.7	66.6				
13	1/2		350	350	1	2	1	4	5	1	3	3	1	30,2	M8	5/16-18 UNC	YLFL-GFS-301S/20	
			5075	5075	.5	.8	.6	1.	2.	.6	1.	1.	.7	66.4				
19	3/4		350	350	1	2	1	5	6	2	4	3	1	40,1	M10	3/8-16 UNC	YLFL-GFS-302S	
			5075	5075	.7	1.	.7	1.	2.	.8	1.	1.	.7	88.2				
19	3/4		350	350	1	2	1	5	6	2	4	3	1	41,9	M10	3/8-16 UNC	YLFL-GFS-302S/25	
			5075	5075	.7	1.	.7	1.	2.	.8	1.	1.	.7	92.1				
25	1		250	315	2	3	1	5	7	2	5	3	1	46,4	M10	3/8-16 UNC	YLFL-GFS-303S	
			3625	4568	.9	1.	.7	2.	2.	1.	2.	1.	.7	102.				
25	1		250	315	2	3	1	5	7	2	5	3	18	50,0	M10	3/8-16 UNC	YLFL-GFS-303S/30	
			3625	4568	.9	1.	.7	2.	2.	1.	2.	1.	.7	110.				
32	1-1/4		200	250	32	4	21	6	82	3	58	4	20	68,0	M10 (M12)	7/16-14 UNC	YLFL-GFS-304S	
			2900	3625	1.	1.	.8	2.	3.	1.	2.	1.	.7	149.				
32	1-1/4		200	250	32	38	21	68	82	30	58	41	20	72,0	M10 (M12)	7/16-14 UNC	YLFL-GFS-304S/38	
			2900	3625	1.	1.	.8	2.	3.	1.	2.	1.	.7	158.				
38	1-1/2		200	200	38	48	25	79	96	35	69	44	22	107,	M12 (M14)	1/2-13 UNC	YLFL-GFS-305S	
			2900	2900	1.	1.	.9	3.	3.	1.	2.	1.	.8	236.				
38	1-1/2		200	200	38	50	25	79	96	35	69	44	22	105,	M12 (M14)	1/2-13 UNC	YLFL-GFS-305S/50	
			2900	2900	1.	1.	.9	3.	3.	1.	2.	1.	.8	232.				
51	2		160	200	51	61	25	88	10	42	77	45	24	126,	M12 (M14)	1/2-13 UNC	YLFL-GFS-306S	
			2320	2900	2.	2.	1.	3.	4.	1.	3.	1.	.9	277.				
64	2-1/2		100	160	6	7	2	1	1	5	8	5	2	145,	M12 (M14)	1/2-13 UNC	YLFL-GFS-307S	
			1450	2320	2.	3.	1.	3.	4.	2.	3.	1.	1.	319.				
76	3		100	100	7	9	2	1	1	6	1	5	2	217,	M16	5/8-11 UNC	YLFL-GFS-308S	
			1450	1450	2.	3.	1.	5.	5.	2.	4.	1.	1.	478.				
89	3-1/2		35	35	8	1	2	1	1	6	1	5	3	263,	M16	5/8-11 UNC	YLFL-GFS-309S	
			508	508	3.	4.	1.	5.	6.	2.	4.	1.	1.	580.				
102	4		35	35	9	1	2	1	1	7	1	5	3	295,	M16	5/8-11 UNC	YLFL-GFS-310S	
			508	508	3.	4.	1.	5.	6.	3.	5.	1.	1.	649.				
127	5		35	35	1	1	2	1	1	9	1	5	3	390,	M16	5/8-11 UNC	YLFL-GFS-311S	
			508	508	4.	5.	1.	7.	7.	3.	6.	1.	1.	859.				

SAE-SOCKET WELD FLANGE COMPANION



6000 PSI High Pressure Series (based on ISO 6162-2:2002)

Nominal Size	DN	(in)	PN ¹		Dimensions								Weight	Ø Thread		Order Code	
			(^{ksi} /PSI)	(MH)	ØB	ØA	H	F	D	E	C	G		I	per 100		Metric
13	1/2		350	420	13	21,6	16,5	47	57	18,2	40,5	36	18	28,3	M8	5/16-18 UNC	YLFL-GFS-601S
			5075	6090	.51	.85	.65	1.85	2.24	.72	1.59	1.42	.71	62.26			
13	1/2		350	420	13	17,5	16,5	47	57	18,2	40,5	36	18	30,0	M8	5/16-18 UNC	YLFL-GFS-601S/17.5
			5075	6090	.51	.69	.65	1.85	2.24	.72	1.59	1.42	.71	66.00			
13	1/2		350	420	13	20,3	16,5	47	57	18,2	40,5	36	18	29,0	M8	5/16-18 UNC	YLFL-GFS-601S/20
			5075	6090	.51	.80	.65	1.85	2.24	.72	1.59	1.42	.71	63.80			
19	3/4		350	420	19	27,2	19,5	54	72	23,8	50,8	36	20	51,2	M10	3/8-16 UNC	YLFL-GFS-602S
			5075	6090	.75	1.07	.77	2.13	2.83	.94	2.00	1.42	.79	112.64			
19	3/4		350	420	19	25,3	19,5	54	72	23,8	50,8	36	20	52,5	M10	3/8-16 UNC	YLFL-GFS-602S/25
			5075	6090	.75	1.00	.77	2.13	2.83	.94	2.00	1.42	.79	115.50			
25	1		350	420	25	34	24,5	68	82	27,8	57,2	44	22	77,1	M12	7/16-14 UNC	YLFL-GFS-603S
			5075	6090	.98	1.34	.96	2.68	3.23	1.09	2.25	1.73	.87	169.62			
25	1		350	420	25	30,3	24,5	68	82	27,8	57,2	44	22	91,1	M12	7/16-14 UNC	YLFL-GFS-603S/30
			5075	6090	.98	1.19	.96	2.68	3.23	1.09	2.25	1.73	.87	200.42			
32	1-1/4		350	420	32	42,8	27,5	79	95	31,8	66,6	44	22	117,1	M12	1/2-13 UNC	YLFL-GFS-604S
			5075	6090	1.26	1.69	1.08	3.11	3.74	1.25	2.62	1.73	.87	257.62			
32	1-1/4		350	420	32	42,8	27,5	79	95	31,8	66,6	44	22	116,7	M14	1/2-13 UNC	YLFL-GFS-604S/M14
			5075	6090	1.26	1.69	1.08	3.11	3.74	1.25	2.62	1.73	.87	256.74			
32	1-1/4		350	420	32	38,3	27,5	79	95	31,8	66,6	44	22	126,2	M12	1/2-13 UNC	YLFL-GFS-604S/38
			5075	6090	1.26	1.51	1.08	3.11	3.74	1.25	2.62	1.73	.87	277.64			
32	1-1/4		350	420	32	38,3	27,5	79	95	31,8	66,6	44	22	123,9	M14	1/2-13 UNC	YLFL-GFS-604S/38-M14
			5075	6090	1.26	1.51	1.08	3.11	3.74	1.25	2.62	1.73	.87	272.58			
38	1-1/2		350	420	38	48,6	31	88	108	36,5	79,3	51	24	184,2	M16	5/8-11 UNC	YLFL-GFS-605S
			5075	6090	1.50	1.91	1.22	3.46	4.25	1.44	3.12	2.01	.94	405.24			
38	1-1/2		350	420	38	50,5	31	88	108	36,5	79,3	51	24	191,4	M16	5/8-11 UNC	YLFL-GFS-605S/50
			5075	6090	1.50	1.99	1.22	3.46	4.25	1.44	3.12	2.01	.94	421.08			
51	2		350	420	51	61	37	118	137	44,5	96,8	65	24	356,9	M20	3/4-10 UNC	YLFL-GFS-606S
			5075	6090	2.01	2.40	1.46	4.65	5.39	1.75	3.81	2.56	.94	785.18			
64	2-1/2		350	420	63	76,6	45	152	180	58,7	123,8	80	32	740,2	M24	3/4-10 UNC	YLFL-GFS-607S
			5075	6090	2.48	3.02	1.77	5.98	7.09	2.31	4.87	3.15	1.26	1628.44			
76	3		350	420	73	90,5	55	178	208	71,4	152,4	90	30	1304,8	M30	3/4-10 UNC	YLFL-GFS-608S
			5075	6090	2.87	3.56	2.17	7.01	8.19	2.81	6.00	3.54	1.18	2870.56			