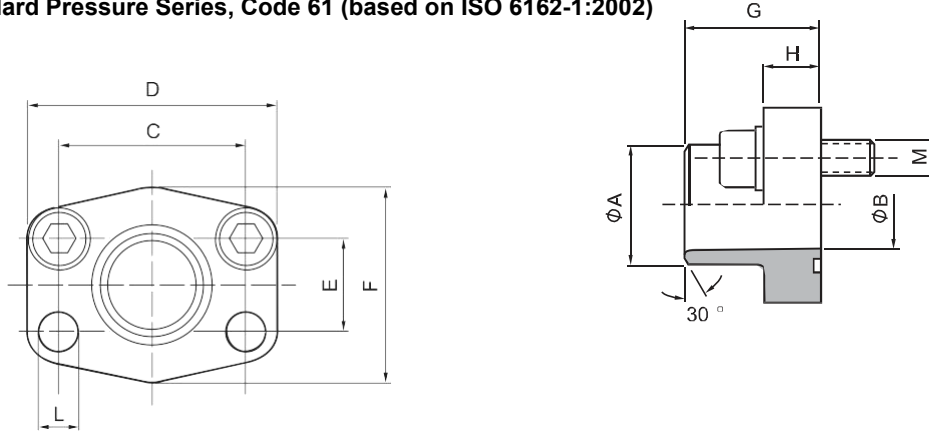


SAE BUTT WELD FLANGE

SAE Butt weld Flange is the butt weld connection end type of SAE Flanges, there are two main series which are code 61 flanges and code 62 flanges.

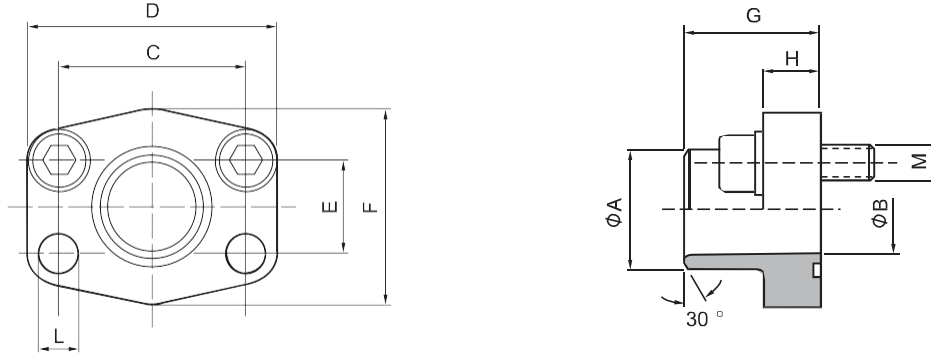
3000 PSI Standard Pressure Series, Code 61 (based on ISO 6162-1:2002)



Nominal Size	DN	(in)	PN		Dimensions								Weight (^g /lbs) ca.	for Bolts		Order Codes	
			(^{bar} /PSI)	10.9(MH)	ØB	ØA	H	F	D	E	C	G		L	Metric		UNC
13	1/2	350	350	350	13	21.6	16	47	57	17.5	38.1	36	8.7	26.0	M8x30	5/16-18 UNC x 1-1/4	YLFL-AFS-301T-21.6/13
			5075	5075	.51	.85	.63	1.85	2.24	.69	1.50	1.42	.34	57.20			
13	1/2	350	350	350	13	17.5	16	47	57	17.5	38.1	36	8.7	24.2	M8x30	5/16-18 UNC x 1-1/4	YLFL-AFS-301T-17.5/13
			5075	5075	.51	.69	.63	1.85	2.24	.69	1.50	1.42	.34	53.24			
19	3/4	350	350	350	19	27.2	18	50	67	22.3	47.6	36	10.5	35.2	M10x35	3/8-16 UNC x 1-1/2	YLFL-AFS-302T
			5075	5075	.75	1.07	.71	1.97	2.64	.88	1.87	1.42	.41	77.44			
25	1	250	315	315	25	34	18	54	72	26.2	52.4	38	10.5	40.8	M10x35	3/8-16 UNC x 1-1/2	YLFL-AFS-303T
			3625	4568	.98	1.34	.71	2.13	2.83	1.03	2.06	1.50	.41	89.76			
32	1-1/4	200	250	250	32	42.8	21	68	82	30.2	58.7	41	11.5(13.5)	71.3	M10x40 (M12x40)	7/16-14 UNC x 1-1/2	YLFL-AFS-304T
			2900	3625	1.26	1.69	.83	2.68	3.23	1.19	2.31	1.61	.45 (.53)	156.86			
38	1-1/2	200	200	200	38	48.6	25	79	96	35.7	69.9	44	13.5(14.5)	97.3	M12x45 (M14x45)	1/2-13 UNC x 1-3/4	YLFL-AFS-305T
			2900	2900	1.50	1.91	.98	3.11	3.78	1.41	2.75	1.73	.53 (.57)	214.06			
51	2	160	200	200	51	61	25.5	88	102	42.9	77.8	45	13.5(14.5)	115.1	M12x45 (M14x45)	1/2-13 UNC x 1-3/4	YLFL-AFS-306T
			2320	2900	2.01	2.40	1.00	3.46	4.02	1.69	3.06	1.77	.53 (.57)	253.22			
64	2-1/2	100	160	160	63	77	26	101	115	50.8	88.9	50	13.5(14.5)	153.2	M12x45 (M14x45)	1/2-13 UNC x 1-3/4	YLFL-AFS-307T
			1450	2320	2.48	3.03	1.02	3.98	4.53	2.00	3.50	1.97	.53 (.57)	337.04			
76	3	100	160	160	73	92	27.5	127	137	61.9	106.4	50	17	229.0	M16x50	5/8-11 UNC x 2	YLFL-AFS-308T
			1450	2320	2.87	3.62	1.08	5.00	5.39	2.44	4.19	1.97	.67	503.80			
89	3-1/2	35	35	35	89	103	27.5	138	155	69.9	120.7	50	17	259.1	M16x50	5/8-11 UNC x 2	YLFL-AFS-309T
			508	508	3.50	4.06	1.08	5.43	6.10	2.75	4.75	1.97	.67	570.02			
102	4	35	35	35	99	115.5	27.5	147	163	77.8	130.2	50	17	286.5	M16x50	5/8-11 UNC x 2	YLFL-AFS-310T
			508	508	3.90	4.55	1.08	5.79	6.42	3.06	5.13	1.97	.67	630.30			
127	5	35	35	35	120	140.2	28	180	184	92	152.4	50	17	398.6	M16x55	5/8-11 UNC x 2-1/4	YLFL-AFS-311T
			508	508	4.72	5.52	1.10	7.09	7.24	3.62	6.00	1.97	.67	876.92			

SAE-BUTT WELD FLANGE

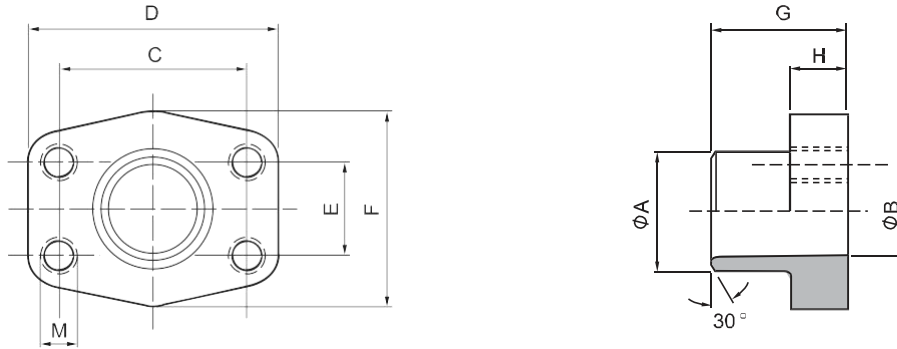
6000 PSI High Pressure Series, Code 62 (based on ISO 6162-2:2002)



Nominal Size	PN (^{bar} /PSI)	Dimensions (^{mm} / _{in})											Weight (^{kg} / _{lbs}) ca. per 100	for Bolts		Order Codes
		DN	(in)	8.8	10.9 (MH)	ØB	ØA	H	F	D	E	C		G	L	
13	350	420	13	21.6	16.5	47	57	18.2	40.5	36	8.7	33.3	M8x30	5/16-18 UNC x 1-1/4	YLFL-AFS-601T-21.6/13	
	5075	6090	.51	.85	.65	1.85	2.24	.72	1.59	1.42	.34	73.26				
2	350	420	13	17.5	16.5	47	57	18.2	40.5	36	8.7	24.2	M8x30	5/16-18UNCx1-1/4	YLFL-AFS-601T-17.5/13	
	5075	6090	.51	.69	.65	1.85	2.24	.72	1.59	1.42	.34	53.24				
19	350	420	19	28	19.5	54	72	23.8	50.8	36	10.5	49.4	M10x35	3/8-16 UNC x 1-1/2	YLFL-AFS-602T	
	5075	6090	.75	1.10	.77	2.13	2.83	.94	2.00	1.42	.41	108.68				
4	350	420	25	34	24.5	68	82	27.8	57.2	41	13	64.1	M12x45	7/16-14 UNC x 1-3/4	YLFL-AFS-603T	
	5075	6090	.98	1.34	.96	2.68	3.23	1.09	2.25	1.61	.51	141.02				
32	350	420	32	42.8	27.5	79	95	31.8	66.6	44	13.5	101.3	M12x45	1/2-13 UNC x 1-3/4	YLFL-AFS-604T-42.8/32	
	5075	6090	1.26	1.69	1.08	3.11	3.74	1.25	2.62	1.73	.53	222.86				
32	350	420	32	42.8	27.5	79	95	31.8	66.6	44	15	98.1	M14x45		YLFL-AFS-604T-42.8/32	
	5075	6090	1.26	1.69	1.08	3.11	3.74	1.25	2.62	1.73	.59	215.82				
32	350	420	29	42.8	27.5	79	95	31.8	66.6	44	13.5	112.8	M12x45	1/2-13 UNC x 1-3/4	YLFL-AFS-604T-42.8/29 (SCH 160)	
	5075	6090	1.14	1.69	1.08	3.11	3.74	1.25	2.62	1.73	.53	248.16				
32	350	420	29	42.8	27.5	79	95	31.8	66.6	44	15	100.8	M14x45		YLFL-AFS-604T-42.8/29-M14	
	5075	6090	1.14	1.69	1.08	3.11	3.74	1.25	2.62	1.73	.59	221.76				
38	350	420	38	48.6	31	88	108	36.5	79.3	56	17	168.2	M16x55	5/8-11 UNC x 2-1/4	YLFL-AFS-605T-48.6/38	
	5075	6090	1.50	1.91	1.22	3.46	4.25	1.44	3.12	2.20	.67	370.04				
38	350	420	32	48.6	31	88	108	36.5	79.3	56	17	170.9	M16x55	5/8-11 UNC x 2-1/4	YLFL-AFS-605T-48.6/32 (SCH 160)	
	5075	6090	1.26	1.91	1.22	3.46	4.25	1.44	3.12	2.20	.67	375.98				
51	350	420	51	61	37	118	137	44.5	96.8	65	21	284.5	M20x70	3/4-10 UNC x 2-3/4	YLFL-AFS-606T-61/51	
	5075	6090	2.01	2.40	1.46	4.65	5.39	1.75	3.81	2.56	.83	625.90				
51	350	420	43	61	37	118	137	44.5	96.8	65	21	316.4	M20x70	3/4-10 UNC x 2-3/4	YLFL-AFS-606T-61/43 (SCH 160)	
	5075	6090	1.69	2.40	1.46	4.65	5.39	1.75	3.81	2.56	.83	696.08				
64	350	420	51	76.1	45	150	180	58.7	123.8	80	26	727.7	M24x80		YLFL-AFS-607T-76.1/51	
	5075	6090	2.01	3.00	1.77	5.91	7.09	2.31	4.87	3.15	1.02	1600.94				
64	350	420	60	90	45	150	180	58.7	123.8	80	26	730.0	M24x80		YLFL-AFS-607T-90/60 (SCH XXS)	
	5075	6090	2.36	3.54	1.77	5.91	7.09	2.31	4.87	3.15	1.02	1606.00				
76	350	420	90	67.7	152.4	208	71.4	178	90	55	33	1305.0	M30x100		YLFL-AFS-608T-90/67 (SCH 160)	
	5075	6090	3.54	2.67	6.00	8.19	2.81	7.01	3.54	2.17	1.30	2871.00				
76	3	350	420	90	58.4	152.4	208	71.4	178	90	55	33	1305.0	M30x100		YLFL-AFS-608T-90/58 (SCH XXS)
		5075	6090	3.54	2.30	6.00	8.19	2.81	7.01	3.54	2.17	1.30	2871.00			

SAE-BUTT WELD FLANGE COMPANION (Counterflange Flat Face)

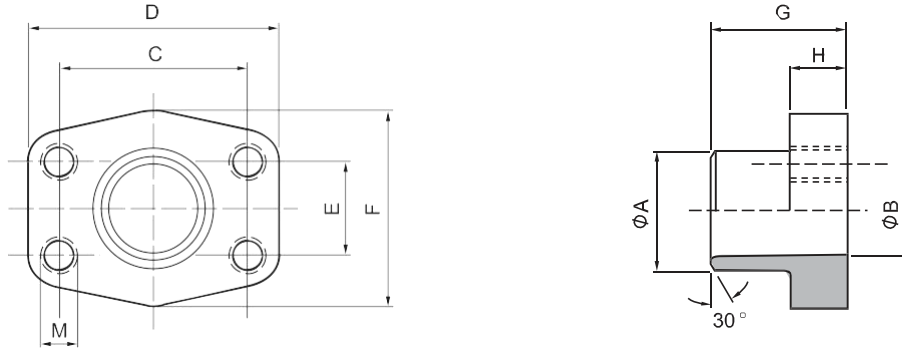
3000 PSI Standard Pressure Series, Code 61 (based on ISO 6162-1:2002)



Nominal Size		PN (bar/PSI)		Dimensions (mm/in)									Weight (kg/lbs) ca.	Ø Thread		Order Codes
DN	(in)	8.8	10.9(MH)	ØB	ØA	H	F	D	E	C	G		Metric	UNC		
13	1/2	350	350	13	21,6	16	47	57	17,5	38,1	36	26,3	M8	5/16-18 UNC	YLFL-GFS-301T-21.6/13	
		5075	5075	.51	.85	.63	1.85	2.24	.69	1.50	1.42	57.86				
13	1/2	350	350	13	17,5	16	47	57	17,5	38,1	36	25,8	M8	5/16-18 UNC	YLFL-GFS-301T-17.5/13	
		5075	5075	.51	.69	.63	1.85	2.24	.69	1.50	1.42	56.76				
19	3/4	350	350	19	27,2	18	50	67	22,3	47,6	36	36,6	M10	3/8-16 UNC	YLFL-GFS-302T	
		5075	5075	.75	1.07	.71	1.97	2.64	.88	1.87	1.42	80.52				
25	1	250	315	25	34	18	54	72	26,2	52,4	38	43,1	M10 (M12)	7/16-14 UNC	YLFL-GFS-303T	
		3625	4568	.98	1.34	.71	2.13	2.83	1.03	2.06	1.50	94.82				
32	1-1/4	200	250	32	42,8	21	68	82	30,2	58,7	41	67,5	M10 (M12)	7/16-14 UNC	YLFL-GFS-304T	
		2900	3625	1.26	1.69	.83	2.68	3.23	1.19	2.31	1.61	148.50				
38	1-1/2	200	200	38	48,6	25	79	96	35,7	69,9	44	103,4	M12 (M14)	1/2-13 UNC	YLFL-GFS-305T	
		2900	2900	1.50	1.91	.98	3.11	3.78	1.41	2.75	1.73	227.48				
51	2	160	200	51	61	25,5	88	102	42,9	77,8	45	122,7	M12 (M14)	1/2-13 UNC	YLFL-GFS-306T	
		2320	2900	2.01	2.40	1.00	3.46	4.02	1.69	3.06	1.77	269.94				
64	2-1/2	100	160	63	77	26	101	115	50,8	88,9	50	155,8	M12 (M14)	1/2-13 UNC	YLFL-GFS-307T	
		1450	2320	2.48	3.03	1.02	3.98	4.53	2.00	3.50	1.97	342.76				
76	3	100	160	73	92	27,5	127	137	61,9	106,4	50	236,0	M16	5/8-11 UNC	YLFL-GFS-308T	
		1450	2320	2.87	3.62	1.08	5.00	5.39	2.44	4.19	1.97	519.20				
89	3-1/2	35	35	89	103	27,5	138	155	69,9	120,7	50	267,3	M16	5/8-11 UNC	YLFL-GFS-309T	
		508	508	3.50	4.06	1.08	5.43	6.10	2.75	4.75	1.97	588.06				
102	4	35	35	99	115,5	27,5	147	163	77,8	130,2	50	291,3	M16	5/8-11 UNC	YLFL-GFS-310T	
		508	508	3.90	4.55	1.08	5.79	6.42	3.06	5.13	1.97	640.86				
127	5	35	35	120	140,2	28	180	184	92	152,4	50	416,1	M16	5/8-11 UNC	YLFL-GFS-311T	
		508	508	4.72	5.52	1.10	7.09	7.24	3.62	6.00	1.97	915.42				

SAE-BUTT WELD FLANGE COMPANION (Counterflange Flat Face)

6000 PSI High Pressure Series, Code 62 (based on ISO 6162-2:2002)



Nominal Size	PN (^{bar} /PSI)	Dimensions (mm/in)										Weight (^{kg} /lbs) ca. per 100	Ø Thread		Order Codes
		DN	(in)	8.8	10.9 (MH)	ØB	ØA	H	F	D	E		C	G	
13	350	420	13	21.6	16.5	47	57	18.2	40.5	36	27.8	M8	5/16-18 UNC	YLFL-GFS-601T-21.6/13	
															5075
13	350	420	13	17.5	16.5	47	57	18.2	40.5	36	26.1	M8	5/16-18 UNC	YLFL-GFS-601T-17.5/13	
															5075
19	350	420	19	28	19.5	54	72	23.8	50.8	36	49.0	M10	3/8-16 UNC	YLFL-GFS-602T	
															5075
25	350	420	25	34	24.5	68	82	27.8	57.2	41	67.5	M12	7/16-14 UNC	YLFL-GFS-603T	
															5075
32	350	420	32	42.8	27.5	79	95	31.8	66.6	44	106.3	M12	1/2-13 UNC	YLFL-GFS-604T-42.8/32	
															5075
32	350	420	32	42.8	27.5	79	95	31.8	66.6	44	103.2	M14	1/2-13 UNC	YLFL-GFS-604T-42.8/32-M14	
															5075
32	350	420	29	42.8	27.5	79	95	31.8	66.6	44	101.0	M12	1/2-13 UNC	YLFL-GFS-604T-42.8/29(SCH 160)	
															5075
32	350	420	29	42.8	27.5	79	95	31.8	66.6	44	113.3	M14	1/2-13 UNC	YLFL-GFS-604T-42.8/29-M14	
															5075
38	350	420	38	48.3	31	88	108	36.5	79.3	56	182.4	M16	5/8-11 UNC	YLFL-GFS-605T-48.6/38	
															5075
38	350	420	32	48.3	31	88	108	36.5	79.3	56	180.0	M16	5/8-11 UNC	YLFL-GFS-605T-48.6/32(SCH 160)	
															5075
51	350	420	51	61	37	118	137	44.5	96.8	65	287.3	M20	3/4-10 UNC	YLFL-GFS-606T-61/51	
															5075
51	350	420	43	61	37	118	137	44.5	96.8	65	326.6	M20	3/4-10 UNC	YLFL-GFS-606T-61/43(SCH 160)	
															5075
64	350	420	51	76.1	45	150	180	58.7	123.8	80	728.0	M24	3/4-10 UNC	YLFL-GFS-607T-76.1/51	
															5075
64	350	420	60.5	90	45	150	180	58.7	123.8	80	751.5	M24	3/4-10 UNC	YLFL-GFS-607T-90/60.5 (SCH XXS)	
															5075
76	350	420	90	67.7	152.4	208	71.4	178	90	55	1305.0	M30	3/4-10 UNC	YLFL-GFS-608T-90/67(SCH 160)	
															5075
76	350	420	90	58.4	152.4	208	71.4	178	90	55	1305.0	M30	3/4-10 UNC	YLFL-GFS-608T-90/58(SCH XXS)	
															5075